



# Material Safety Data Sheet



## Section 1 Company and Product Identification

L. Robinson & Company (Gillingham) Limited,  
 Incorporating Jubilee® Clips Limited  
 Owens Way, Gads Hill,  
 Gillingham,  
 Kent,  
 ME7 2RS, UK

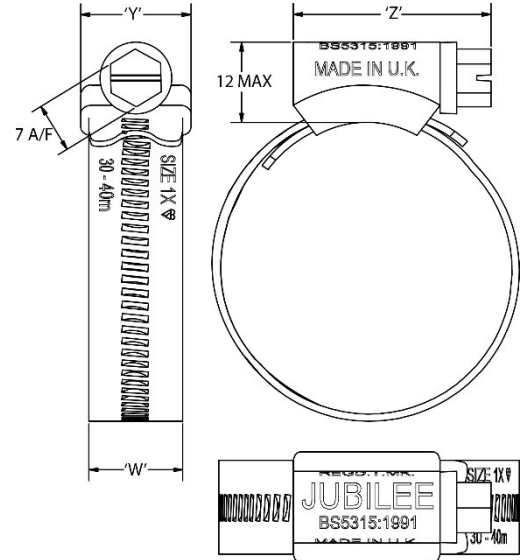
Tel: +44 (0)1634 281200

Fax: +44 (0)1634 280101

Email: [sales@jubileeclips.co.uk](mailto:sales@jubileeclips.co.uk)

http:// [www.jubileeclips.co.uk](http://www.jubileeclips.co.uk)

Jubilee® Original 304 Stainless Steel (W4) Range,  
 manufactured to BS5315:1991



Part Number	BS No	Adjustment mm	Adjustment Inches	Band Width (W) mm	Band Thickness mm	'Z' (max) mm	'Y' (max) mm	Recommended Torque Nm	Max Torque Nm	Recommended Max Pressure PSI
000SS	12	9.5- 12	3/8 - 1/2	9.3	0.7	20.5	12.5	3.4	4.5	203
M00SS	16	11- 16	1/2 - 5/8	9.3	0.7	20.5	12.5	3.4	4.5	203
00SS	20	13- 20	1/2 - 3/4	9.3	0.7	20.5	12.5	3.4	4.5	203
0SS	22	16- 22	5/8 - 7/8	12.7	0.9	24.5	16	4.2	5.6	203
0XSS	25	18- 25	3/4 - 1	12.7	0.9	24.5	16	4.2	5.6	203
1ASS	30	22- 30	7/8 - 1 1/8	12.7	0.9	24.5	16	5.1	6.8	203
1SS	35	25- 35	1 - 1 1/8	12.7	0.9	24.5	16	5.1	6.8	102
1XSS	40	30- 40	1 1/8 - 1 3/8	12.7	0.9	29	16	5.1	6.8	102
1MSS	45	32- 45	1 1/4 - 1 3/4	12.7	0.9	29	16	5.1	6.8	102
2ASS	50	35- 50	1 3/8 - 2	12.7	0.9	29	16	5.9	7.9	102
2SS	55	40- 55	1 7/8 - 2 1/8	12.7	0.9	33	16	5.9	7.9	102
2XSS	60	45- 60	1 7/8 - 2 3/8	12.7	0.9	33	16	5.9	7.9	102
3SS	70	55- 70	2 1/8 - 2 3/4	12.7	0.9	33	16	6.7	9	102
3XSS	80	60- 80	2 3/8 - 3 1/8	12.7	0.9	33	16	6.7	9	44
4SS	90	70- 90	2 3/4 - 3 1/2	12.7	0.9	33	16	6.7	9	44
4XSS	100	85-100	3 1/4 - 4	12.7	0.9	33	16	6.7	9	44
5SS	120	90-120	3 1/2 - 4 1/4	12.7	0.9	33	16	6.7	9	44
6SS	140	110-140	4 1/8 - 5 1/2	12.7	0.9	33	16	6.7	9	44
6XSS	150	120-150	4 1/4 - 5 1/8	12.7	0.9	33	16	6.7	9	18
7SS	165	135-165	5 1/4 - 6 1/2	12.7	0.9	33	16	5.9	7.9	18
7.5SS	190	158-190	6 1/4 - 7 1/2	12.7	0.9	33	16	5.9	7.9	18
8.5SS	216	184-216	7 1/4 - 8 1/2	12.7	0.9	33	16	5.9	7.9	18
9.5SS	242	210-242	8 1/4 - 9 1/2	12.7	0.9	33	16	5.9	7.9	18
10.5SS	267	235-267	9 1/4 - 10 1/2	12.7	0.9	33	16	5.9	7.9	18
11.5SS	292	260-292	10 1/4 - 11 1/2	12.7	0.9	33	16	5.9	7.9	18
12.5SS	318	286-318	11 1/4 - 12 1/2	12.7	0.9	33	16	5.9	7.9	18

## Section 2 Composition/Information on Ingredients

Composition/Information on constituents of iron alloy.

Manganese	< 11%
Chromium	< 30%
Nickel	< 38%
Mo	< 8 %

Other elements vary such as Si, Cu, Ti, in each alloy composition and are generally not classified as hazardous, or are below the concentration levels for classification of these alloys as hazardous, and are not subject to recognised exposure limits.

## Section 3 First Aid Measures

Inhalation:	There are no specific symptoms associated with steel in the product forms.
Skin:	There are no specific symptoms associated with steel in the product forms.
Eyes:	Not applicable.
Ingestion:	Not applicable.

## Section 4 Fire Fighting Measures

Non flammable

## Section 5 Handling and Storage

Store in a dry area

## Section 6 Physical and Chemical Properties

Colour:	Metallic grey/silver
Odour:	None
Form/state:	Solid
Melting point:	1454 °C
Max service temp:	870 °C
Min service temp:	-196 °C
Magnetism:	1.008 μ
Resistance:	72 μΩ
Density:	8.03 g/cm <sup>3</sup>

## Section 7 Stability and Reactivity

Stability:	Stable in normal condition
Reacts with:	Reacts with strong acids, and hydrogen is then one of the substances emitted.
Corrosion Resistance:	NSS 1000hours

## Section 8 Toxicological Information

Nickel is classified as a skin sensitizer however numerous patch tests have established that most stainless steels do not cause sensitization, but a few types may result in allergic skin reactions in sensitized individuals after prolonged contact.

No carcinogenic effects resulting from exposure to stainless steels have been reported, either in epidemiological studies or in tests with animals.

### Section 9 Ecological Information

No ecological effects are known for the product as a whole.

### Section 10 Disposal Considerations

Disposal method: Recyclable, Jubilee® clips' Original 304 Stainless Steel Range are made from key raw material for the production of new Stainless steel. Steel is the world's most recycled construction material and can be recycled with retained material properties.

### Section 11 Transport Information

No special requirements are necessary in transporting these products.

### Section 12 Regulatory Information

This product conforms to EU Regulation 1097/2006 (REACH)  
This product is compliant with EU directive 2011/65/EU (ROHS2)  
BS EN ISO 9001:2008 FM00547  
BS EN ISO 14001:2004 EMS573195  
BS OHSAS 18001:2007 OHS601983  
Manufactured to BS5315:1991  
Lloyds Register Type Approval Certificate number 96/00006(E2)

Quality Assurance:



### Section 13 Other Information

The information above is believed to be accurate and represents the best information currently available to L. Robinson & Co Ltd. However, L. Robinson & Co Ltd make no warranty of merchantability or any other warranty, expressed or implied, with respect to such information, and we assume no liability resulting from its use. Users should make their own investigations to determine the suitability of the information for their particular purposes. In no event shall L. Robinson & Co Ltd be liable for any claims, losses, or damages of any third party or for lost profits or any special, indirect, incidental, consequential or exemplary damages, howsoever arising, even if L. Robinson & Co Ltd has been advised of the possibility of such damages.

**Document Issue Date:** 16<sup>th</sup> April 2024

**Revision Number:** 15