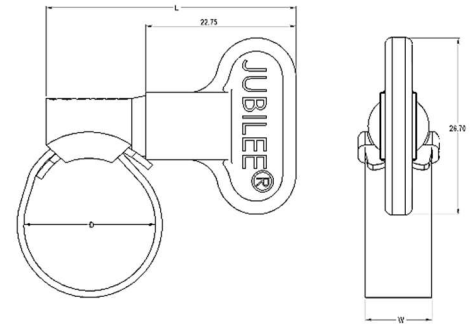


# WINGSPADE

For easy hand fitting our Jubilee® Wingspade clips are supplied with a thumb screw, allowing easy torquing using just a thumb and forefinger. Suitable for applications where there is a requirement for frequent tightening/ loosening, low torque, or domestic applications.

The product range meets DIN 3017.



Part No.	Adjustment mm	Band Width mm	Band Thickness mm	Recommended Torque Nm	Maximum Torque Nm	Maximum Pressure PSI	Part No.
WS012MS	9.5-12	9.3	0.7	3.4	4.5	182	WS012MS
WS016MS	11-16	9.3	0.7	3.4	4.5	182	WS016MS
WS020MS	13-20	9.3	0.7	3.4	4.5	182	WS020MS
WS022MS	12-22	9.3	0.7	3.4	4.5	182	WS022MS
WS027MS	16-27	9.3	0.7	3.4	4.5	182	WS027MS
WS032MS	20-32	9.3	0.7	3.4	4.5	92	WS032MS
WS040MS	25-40	9.3	0.7	4.5	6.0	92	WS040MS
WS045MS	30-45	9.3	0.7	4.5	6.0	92	WS045MS
WS050MS	32-50	9.3	0.7	4.5	6.0	92	WS050MS
WS060MS	40-60	9.3	0.7	4.5	6.0	92	WS060MS
WS070MS	50-70	9.3	0.7	4.5	6.0	92	WS070MS



## Corrosion Resistance

240 hours NSS Test

## Fastening

Wing screw

## Industry Recommendations



Mild Steel Zinc Protected