

QUICK RELEASE STRAPS

Jubilee Quick Release Straps are used in a wide range of applications where a closed installation requires the clamp to be opened fully for positioning. Examples include sign fixing, cable retention, repairs and heating, ventilation and air conditioning. Jubilee Quick Release Straps are available in zinc protected mild steel and 304 stainless steel.

Jubilee Quick Release Straps are manufactured with a quick release swivel housing design which locks into position once the clip is fastened. The strong housing design ensures a higher maximum tightening torque than other quick release designs and the screw fitting requires no specialist tools to install, making installation quicker and more cost effective than some more complex solutions. The design also benefits from being reusable. Jubilee Quick Release Straps may also be used in cable retaining applications where nylon cable ties are not suitable due to fire regulations.

Jubilee Quick Release Straps have a very wide clamping range and excess band material can be removed at the point of installation. These clamps are flexible enough to conform to unusually shaped fittings and they are also suitable for very large diameter applications. Jubilee Quick Release Straps are available in 11mm band width in zinc protected mild steel and all parts 304 stainless steel. There is also a slimline 7mm band width version with flip/lock design which is available in all parts 304 stainless steel only and is suitable where space or weight are at a premium.



- 7mm hex head or slotted design
- Zinc protected mild steel or all 304 stainless steel
- 11mm or 7mm band width
- Made in UK



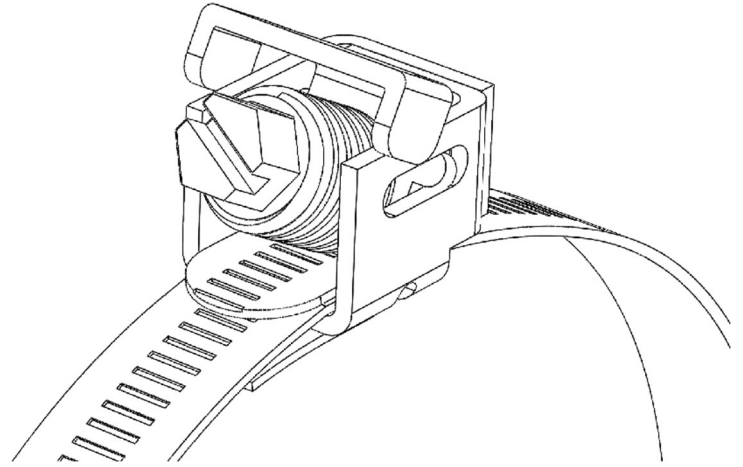
Mild Steel Zinc Protected

304 Stainless Steel

QUICK RELEASE STRAPS

Zinc Protected Mild Steel

11mm Wide



Part No.	Adjustment mm	Band Width mm	Band Thickness mm	Recommended Torque Nm	Maximum Torque Nm	Part No.
CAS050MS	35-50	11	0.8	3.4	4.5	CAS050MS
CAS075MS	45-75	11	0.8	3.4	4.5	CAS075MS
CAS100MS	50-100	11	0.8	3.4	4.5	CAS100MS
CAS120MS	50-120	11	0.8	3.4	4.5	CAS120MS
CAS150MS	50-150	11	0.8	3.4	4.5	CAS150MS
CAS175MS	50-175	11	0.8	3.4	4.5	CAS175MS
CAS200MS	50-200	11	0.8	3.4	4.5	CAS200MS
CAS225MS	50-225	11	0.8	3.4	4.5	CAS225MS
CAS250MS	50-250	11	0.8	3.4	4.5	CAS250MS
CAS275MS	50-275	11	0.8	3.4	4.5	CAS275MS
CAS300MS	50-300	11	0.8	3.4	4.5	CAS300MS
CAS330MS	50-330	11	0.8	3.4	4.5	CAS330MS
CAS355MS	50-355	11	0.8	3.4	4.5	CAS355MS
CAS380MS	50-380	11	0.8	3.4	4.5	CAS380MS
CAS405MS	50-405	11	0.8	3.4	4.5	CAS405MS
CAS455MS	50-455	11	0.8	3.4	4.5	CAS455MS
CAS505MS	50-505	11	0.8	3.4	4.5	CAS505MS
CAS555MS	50-555	11	0.8	3.4	4.5	CAS555MS
CAS605MS	50-605	11	0.8	3.4	4.5	CAS605MS
CAS710MS	50-710	11	0.8	3.4	4.5	CAS710MS
CAS810MS	50-810	11	0.8	3.4	4.5	CAS810MS
CAS910MS	50-910	11	0.8	3.4	4.5	CAS910MS
CAS965MS	50-965	11	0.8	3.4	4.5	CAS965MS

Corrosion Resistance

240 hours NSS Test

Fastening

7mm A/F (captive housing and screw)

Industry Recommendations



Mild Steel Zinc Protected

QUICK RELEASE STRAPS

304 Stainless Steel

11mm Wide



Part No.	Adjustment mm	Band Width mm	Band Thickness mm	Recommended Torque Nm	Maximum Torque Nm	Part No.
CAS050SS	35-50	11	0.8	3.4	4.5	CAS050SS
CAS075SS	45-75	11	0.8	3.4	4.5	CAS075SS
CAS100SS	50-100	11	0.8	3.4	4.5	CAS100SS
CAS120SS	50-120	11	0.8	3.4	4.5	CAS120SS
CAS150SS	50-150	11	0.8	3.4	4.5	CAS150SS
CAS175SS	50-175	11	0.8	3.4	4.5	CAS175SS
CAS200SS	50-200	11	0.8	3.4	4.5	CAS200SS
CAS225SS	50-225	11	0.8	3.4	4.5	CAS225SS
CAS250SS	50-250	11	0.8	3.4	4.5	CAS250SS
CAS275SS	50-275	11	0.8	3.4	4.5	CAS275SS
CAS300SS	50-300	11	0.8	3.4	4.5	CAS300SS
CAS330SS	50-330	11	0.8	3.4	4.5	CAS330SS
CAS355SS	50-355	11	0.8	3.4	4.5	CAS355SS
CAS380SS	50-380	11	0.8	3.4	4.5	CAS380SS
CAS405SS	50-405	11	0.8	3.4	4.5	CAS405SS
CAS455SS	50-455	11	0.8	3.4	4.5	CAS455SS
CAS505SS	50-505	11	0.8	3.4	4.5	CAS505SS
CAS555SS	50-555	11	0.8	3.4	4.5	CAS555SS
CAS605SS	50-605	11	0.8	3.4	4.5	CAS605SS
CAS710SS	50-710	11	0.8	3.4	4.5	CAS710SS
CAS810SS	50-810	11	0.8	3.4	4.5	CAS810SS
CAS910SS	50-910	11	0.8	3.4	4.5	CAS910SS
CAS965SS	50-965	11	0.8	3.4	4.5	CAS965SS

Corrosion Resistance

1000 hours NSS Test

Fastening

7mm A/F (captive housing and screw)

Industry Recommendations

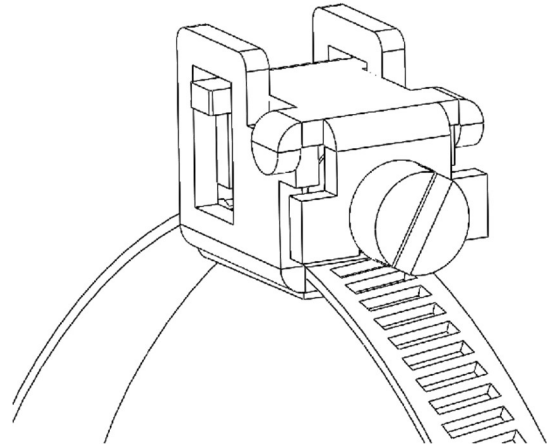


304 Stainless Steel

QUICK RELEASE STRAPS

304 Stainless Steel

7mm Wide



Part No.	Adjustment mm	Band Width mm	Band Thickness mm	Recommended Torque Nm	Maximum Torque Nm	Part No.
FLS050SS	35-50	7	0.5	3.0	4.0	FLS050SS
FLS075SS	45-75	7	0.5	3.0	4.0	FLS075SS
FLS100SS	50-100	7	0.5	3.0	4.0	FLS100SS
FLS120SS	50-120	7	0.5	3.0	4.0	FLS120SS
FLS150SS	50-150	7	0.5	3.0	4.0	FLS150SS
FLS175SS	50-175	7	0.5	3.0	4.0	FLS175SS
FLS200SS	50-200	7	0.5	3.0	4.0	FLS200SS
FLS225SS	50-225	7	0.5	3.0	4.0	FLS225SS
FLS250SS	50-250	7	0.5	3.0	4.0	FLS225SS
FLS275SS	50-275	7	0.5	3.0	4.0	FLS275SS
FLS300SS	50-300	7	0.5	3.0	4.0	FLS300SS
FLS330SS	50-330	7	0.5	3.0	4.0	FLS330SS
FLS355SS	50-355	7	0.5	3.0	4.0	FLS355SS
FLS380SS	50-380	7	0.5	3.0	4.0	FLS380SS
FLS405SS	50-405	7	0.5	3.0	4.0	FLS405SS



Corrosion Resistance

1000 hours NSS Test

Fastening

Round head slotted [flip/lock housing and screw]

Industry Recommendations



304 Stainless Steel