

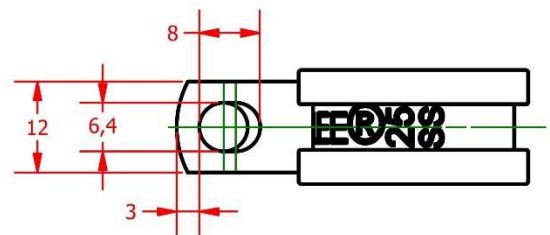
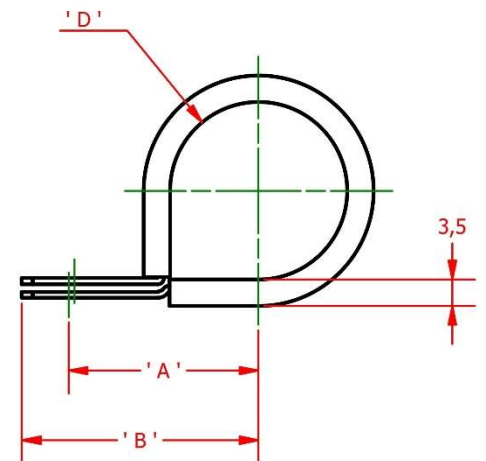
# P CLIPS

Jubilee® P Clips are suitable for retaining pipes, cables and hoses.

Jubilee® P Clips are manufactured from a flexible mild or stainless steel one piece band with an ethylene-propylene-diene monomer (EPDM) rubber liner. The band features a stepped design to allow the clip to sit flush with the rubber liner once in situ. The single piece construction means that there are no joins which makes the clip very strong. The upper hole has an elongated design allowing easy fitting of the clip. The rubber liner is manufactured in a corresponding profile to be secure in its position on the clip and ensures a tight fit as well as vibration damping and sound insulation. EPDM rubber offers several advantages over alternatives such as a wide operating temperature range, resistance to UV (ultra violet) weathering and resistance to creep.



- Operating temperature range -50°C to 150°C
- Good UV weathering resistance
- Offers good resistance to creep
- Delivers good abrasion resistance
- Advanced resistance to ozone
- Highly developed resistance to ageing
- Halogen free
- Pressed step sits flush with liner



Available In:-

Mild Steel Zinc Plated

304 Stainless Steel

316 Stainless Steel

# P CLIPS

## Mild Steel Zinc Plated



Part No.	Diameter mm	Band Width mm	Fastening	Part No.
JPC005MS	5	12	M6	JPC005MS
JPC006MS	6	12	M6	JPC006MS
JPC008MS	8	12	M6	JPC008MS
JPC009MS	9	12	M6	JPC009MS
JPC010MS	10	12	M6	JPC010MS
JPC012MS	12	12	M6	JPC012MS
JPC013MS	13	12	M6	JPC013MS
JPC014MS	14	12	M6	JPC014MS
JPC015MS	15	12	M6	JPC015MS
JPC016MS	16	12	M6	JPC016MS
JPC017MS	17	12	M6	JPC017MS
JPC018MS	18	12	M6	JPC018MS
JPC019MS	19	12	M6	JPC019MS
JPC020MS	20	12	M6	JPC020MS
JPC021MS	21	12	M6	JPC021MS
JPC022MS	22	12	M6	JPC022MS
JPC025MS	25	12	M6	JPC025MS
JPC027MS	27	12	M6	JPC027MS
JPC028MS	28	12	M6	JPC028MS
JPC029MS	29	12	M6	JPC029MS
JPC030MS	30	12	M6	JPC030MS
JPC032MS	32	12	M6	JPC032MS
JPC035MS	35	12	M6	JPC035MS
JPC040MS	40	12	M6	JPC040MS
JPC044MS	44	12	M6	JPC044MS
JPC048MS	48	12	M6	JPC048MS
JPC052MS	52	12	M6	JPC052MS

### Quality Assurance

**DIN**  
3016

### Corrosion Resistance

72 hours NSS Test

### Fastening

M6

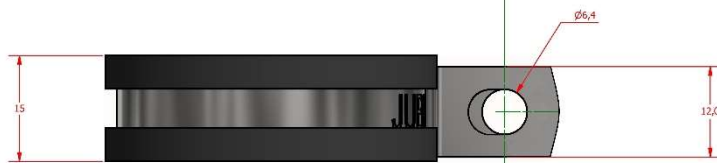
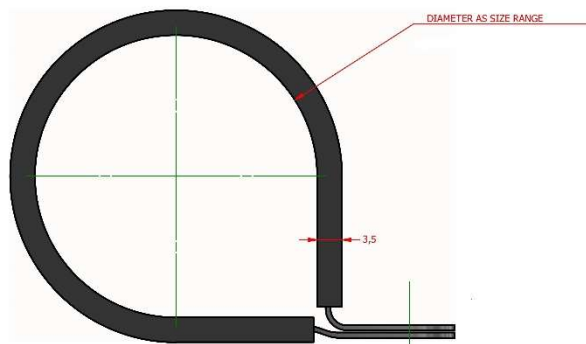
### Industry Recommendations



**Mild Steel Zinc Plated**

# P CLIPS

## 304 Stainless Steel



Part No.	Diameter mm	Band Width mm	Fastening	Part No.
JPC005SS	5	12	M6	JPC005SS
JPC006SS	6	12	M6	JPC006SS
JPC008SS	8	12	M6	JPC008SS
JPC009SS	9	12	M6	JPC009SS
JPC010SS	10	12	M6	JPC010SS
JPC012SS	12	12	M6	JPC012SS
JPC013SS	13	12	M6	JPC013SS
JPC014SS	14	12	M6	JPC014SS
JPC015SS	15	12	M6	JPC015SS
JPC016SS	16	12	M6	JPC016SS
JPC017SS	17	12	M6	JPC017SS
JPC018SS	18	12	M6	JPC018SS
JPC019SS	19	12	M6	JPC019SS
JPC020SS	20	12	M6	JPC020SS
JPC021SS	21	12	M6	JPC021SS
JPC022SS	22	12	M6	JPC022SS
JPC025SS	25	12	M6	JPC025SS
JPC027SS	27	12	M6	JPC027SS
JPC028SS	28	12	M6	JPC028SS
JPC029SS	29	12	M6	JPC029SS
JPC030SS	30	12	M6	JPC030SS
JPC032SS	32	12	M6	JPC032SS
JPC035SS	35	12	M6	JPC035SS
JPC040SS	40	12	M6	JPC040SS
JPC044SS	44	12	M6	JPC044SS
JPC048SS	48	12	M6	JPC048SS
JPC052SS	52	12	M6	JPC052SS
JPC060SS	60	12	M6	JPC060SS

### Quality Assurance



### Corrosion Resistance

1000 hours NSS Test

### Fastening

M6

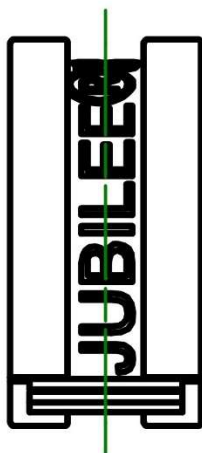
### Industry Recommendations



304 Stainless Steel

# P CLIPS

## 316 Stainless Steel



Part No.	Diameter mm	Band Width mm	Fastening	Part No.
JPC005SS316	5	12	M6	JPC005SS316
JPC006SS316	6	12	M6	JPC006SS316
JPC008SS316	8	12	M6	JPC008SS316
JPC009SS316	9	12	M6	JPC009SS316
JPC010SS316	10	12	M6	JPC010SS316
JPC012SS316	12	12	M6	JPC012SS316
JPC013SS316	13	12	M6	JPC013SS316
JPC014SS316	14	12	M6	JPC014SS316
JPC015SS316	15	12	M6	JPC015SS316
JPC016SS316	16	12	M6	JPC016SS316
JPC017SS316	17	12	M6	JPC017SS316
JPC018SS316	18	12	M6	JPC018SS316
JPC019SS316	19	12	M6	JPC019SS316
JPC020SS316	20	12	M6	JPC020SS316
JPC021SS316	21	12	M6	JPC021SS316
JPC022SS316	22	12	M6	JPC022SS316
JPC025SS316	25	12	M6	JPC025SS316
JPC027SS316	27	12	M6	JPC027SS316
JPC028SS316	28	12	M6	JPC028SS316
JPC029SS316	29	12	M6	JPC029SS316
JPC030SS316	30	12	M6	JPC030SS316
JPC032SS316	32	12	M6	JPC032SS316
JPC035SS316	35	12	M6	JPC035SS316
JPC040SS316	40	12	M6	JPC040SS316
JPC044SS316	44	12	M6	JPC044SS316
JPC048SS316	48	12	M6	JPC048SS316
JPC052SS316	52	12	M6	JPC052SS316

### Quality Assurance



### Corrosion Resistance

1000 hours NSS Test

### Fastening

M6

### Industry Recommendations



316 Stainless Steel