

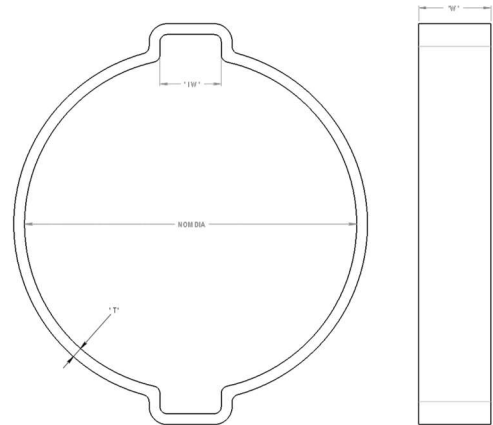
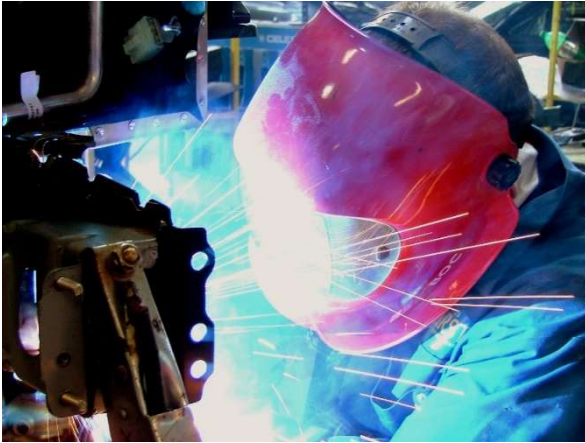
# O CLIPS

Jubilee O Clip, 2-Ear, clamps are widely used for maintenance and OEM applications. Commonly fitted on air, fluid, gas and steam lines and also suitable for low pressure hydraulic applications.

The absence of a screw mechanism allows Jubilee® O Clips to be useful on extremely small hoses. The tamper proof nature of the fitting may also make Jubilee® O Clips suitable for certain applications where there may be a risk associated with any interference to the fitting. Sometimes referred to as Lemon Clips due to their shape and also referred to as double ear clips and 2-ear clips.

Pincers are used to crimp the ears of the clamps and effect a proper seal.

2-ear clamps are best installed by closing one ear fully first, the second ear is then closed so that the first ear opens slightly (gap to be approximately 1.5mm). This builds a resilient strength into the clamp in a spring-like action to hold against pressure, vibration and hose shrinkage due to temperature changes or ageing.



Side Closing Pincer



## Available in:-

Mild Steel Zinc Plated

304 Stainless Steel

# O CLIPS

## Mild Steel Zinc Plated:-

Part No.	Adjustment mm	Band Width mm	Band Thickness mm	Maximum Pressure PSI	Part No.
OC0507MS	5-7	6.0	0.6	200	OC0507MS
OC0709MS	7-9	6.0	0.8	200	OC0709MS
OC0911MS	9-11	6.5	0.8	200	OC0911MS
OC1113MS	11-13	6.5	0.9	200	OC1113MS
OC1315MS	13-15	7.0	1.0	200	OC1315MS
OC1417MS	14-17	7.0	1.1	200	OC1417MS
OC1518MS	15-18	7.5	1.1	200	OC1518MS
OC1720MS	17-20	7.5	1.1	200	OC1720MS
OC1821MS	18-21	8.0	1.1	180	OC1821MS
OC2023MS	20-23	8.0	1.1	180	OC2023MS
OC2225MS	22-25	8.5	1.3	180	OC2225MS
OC2327MS	23-27	8.5	1.3	180	OC2327MS
OC2528MS	25-28	9.0	1.3	180	OC2528MS
OC2831MS	28-31	9.0	1.3	180	OC2831MS
OC3134MS	31-34	9.5	1.3	75	OC3134MS
OC3437MS	34-37	9.5	1.5	75	OC3437MS
OC3740MS	37-40	10.0	1.5	75	OC3740MS
OC4043MS	40-43	10.0	1.5	75	OC4043MS
OC4346MS	43-46	10.5	1.5	75	OC4346MS

### Quality Assurance:



SAE J1508 Surface Vehicle Standards-Hose Clamp Specifications, Type TE is referenced in the quality control methods for the design/manufacture of the Jubilee O Clips Range.

Mild Steel Zinc Plated

### Corrosion Resistance:

144 hours NSS Test

### Fastening:

Pinch using Jubilee Side Closing Pincer tool P1099

### Industry Recommendations:-



# O CLIPS

## 304 Stainless Steel:-

Part No.	Adjustment mm	Band Width mm	Band Thickness mm	Maximum Pressure PSI	Part No.
OC0305SS	3-5	5.0	0.7	200	OC0305SS
OC0507SS	5-7	6.0	0.6	200	OC0507SS
OC0709SS	7-9	6.0	0.8	200	OC0709SS
OC0911SS	9-11	6.5	0.8	200	OC0911SS
OC1113SS	11-13	6.5	0.8	200	OC1113SS
OC1315SS	13-15	7.0	1.0	200	OC1315SS
OC1417SS	14-17	7.0	1.0	200	OC1417SS
OC1518SS	15-18	7.5	1.0	200	OC1518SS
OC1720SS	17-20	7.5	1.0	200	OC1720SS
OC1821SS	18-21	8.0	1.0	180	OC1821SS
OC2023SS	20-23	8.0	1.0	180	OC2023SS
OC2225SS	22-25	8.5	1.2	180	OC2225SS

### Quality Assurance:



SAE J1508 Surface Vehicle Standards-Hose Clamp Specifications, Type TE is referenced in the quality control methods for the design/manufacture of the Jubilee O Clips Range.

304 Stainless Steel

### Corrosion Resistance:

1000 hours NSS Test

### Fastening:

Pinch using Jubilee Side Closing Pincer tool P1099

### Industry Recommendations:-

