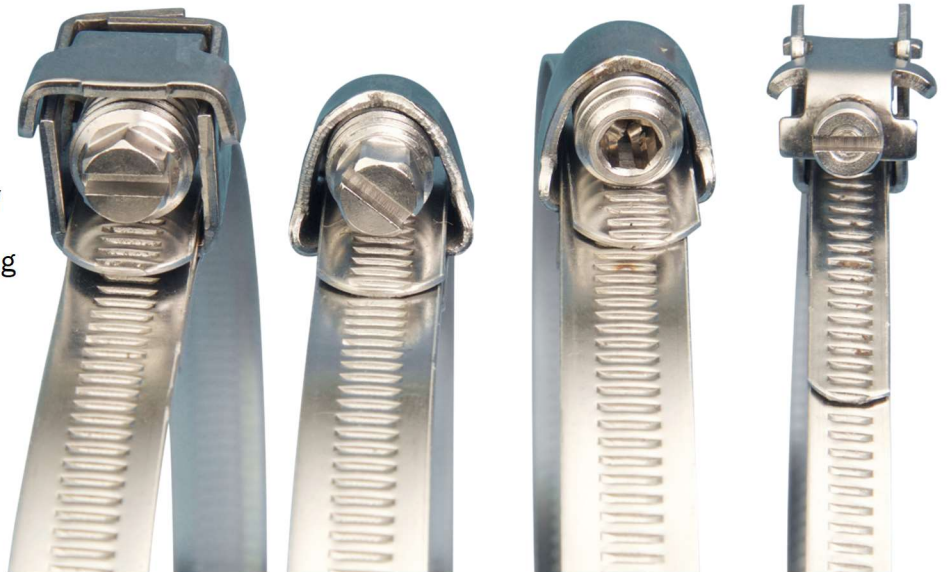


MULTIBAND

Multiband manufactured by Jubilee® is a self-assembly endless banding, or, screw band system, which allows the user to cut the band to the desired length.

Our Jubilee® Multiband system comprises of a worm drive steel strip that is cut to the length required, and screw housings which slide onto the band. A range of housing types are available for speed of assembly, security and ultimate strength. Multiband is useful in a range of applications including heating, ventilation and air conditioning (HVAC), sign fixing, conduit and cable retention and lagging. With material options for all environments.

- Cut to length
- Choice of housing types
- Wide range of material specifications



Available In

Mild Steel Zinc Protected

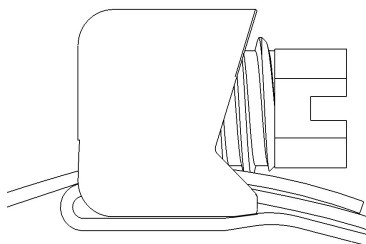
304 Stainless Steel

316 Stainless Steel

MULTIBAND

Zinc Plated Mild Steel

11mm Wide



Adjustment mm	Band Width mm	Band Thickness mm	Recommended Torque Nm	Maximum Torque Nm	Maximum Pressure PSI
Cut to length	11.0	0.8	3.4	4.5	n/a



Banding in dispensers of 10m

Part No. **MB1701**

- 11mm wide
- 10 metre roll



Banding in dispensers of 30m

Part No. **MB1702**

- 11mm wide
- 30 metre roll

Housings/screws for use with 11mm Multiband

Part No. **MB1704**

- Solid housing
- 7mm A/F hexagonal screw
- Box of 25 sets



Captive housings/screws for use with 11mm Multiband

Part No. **MB1706**

- 7mm A/F hexagonal screw
- Box of 25 sets

Housings/Allen screws for use with 11mm Multiband

Part No. **MB1705**

- Solid housing
- 3/16" recess hexagonal key slot
- Box of 25 sets



Handy Pack

Part No. **MB1708**

- 11mm wide
- 10 metre roll
- 25 solid housings/screws

Pocket Pack

Part No. **MB1707**

- 11mm wide
- 3 metre roll
- 8 solid housings/screws

Corrosion Resistance

240 hours NSS Test

Fastening

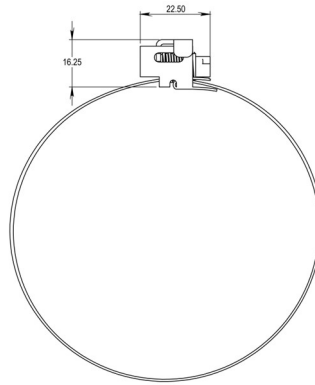
7mm A/F screw

Zinc Plated Mild Steel

Industry Recommendations



MULTIBAND 304 Stainless Steel 11mm Wide



Adjustment mm	Band Width mm	Band Thickness mm	Recommended Torque Nm	Maximum Torque Nm	Maximum Pressure PSI
Cut to length	11.0	0.8	3.4	4.5	n/a



Banding In dispensers of 10m

Part No. **MB1801**

- 11mm wide
- 10 metre roll



Banding In dispensers of 30m

Part No. **MB1802**

- 11mm wide
- 30 metre roll



Handy Pack

Part No. **MB1806**

- 11mm wide
- 10 metre roll
- 25 solid housings/screws



Housings/screws for use with 11mm Multiband

Part No. **MB1803**

- Solid housing
- 7mm A/F hexagonal screw
- Box of 25 sets



Captive housings/screws for use with 11mm Multiband

Part No. **MB1805**

- 7mm A/F hexagonal screw
- Box of 25 sets



Housings/Allen screws for use with 11mm Multiband

Part No. **MB1804**

- Solid housing
- $\frac{3}{16}$ " recess hexagonal key slot
- Box of 25 sets



Pocket Pack

Part No. **MB1807**

- 11mm wide
- 3 metre roll
- 8 solid housings/screws

Corrosion Resistance

1000 hours NSS Test

Fastening

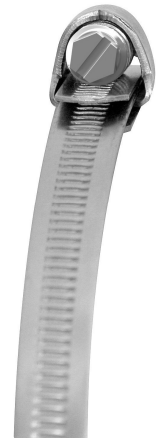
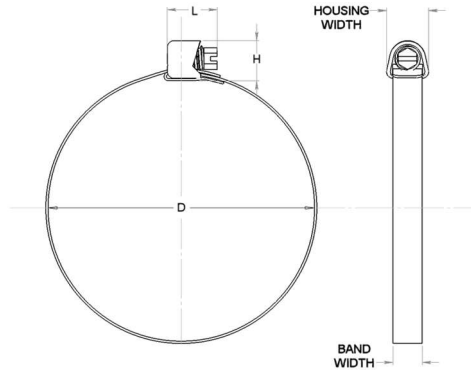
7mm A/F screw

304 Stainless Steel

Industry Recommendations



MULTIBAND 316 Stainless Steel 11mm Wide



Adjustment mm	Band Width mm	Band Thickness mm	Recommended Torque Nm	Maximum Torque Nm	Maximum Pressure PSI
Cut to length	11.0	0.8	3.4	4.5	n/a



Banding in dispensers of 10m

Part No. **MB1901**

- 11mm wide
- 10 metre roll



Banding in dispensers of 30m

Part No. **MB1902**

- 11mm wide
- 30 metre roll



Housings/screws for use with 11mm Multiband

Part No. **MB1903**

- Solid housing
- 7mm A/F hexagonal screw
- Box of 25 sets



Handy Pack

Part No. **MB1906**

- 11mm wide
- 10 metre roll
- 25 solid housings/screws

Corrosion Resistance

2000 hours NSS Test

Fastening

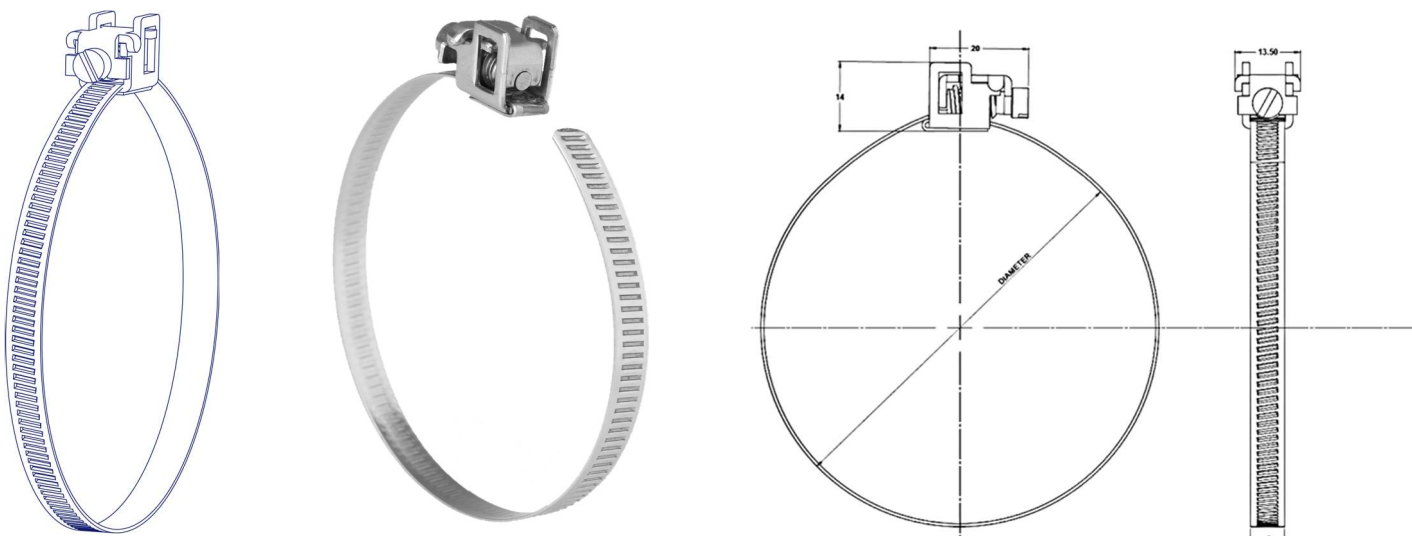
7mm A/F screw

316 Stainless Steel

Industry Recommendations



MULTIBAND 304 Slimline Stainless Steel 7mm Wide



Adjustment mm	Band Width mm	Band Thickness mm	Recommended Torque Nm	Maximum Torque Nm	Maximum Pressure PSi
Cut to length	7.0	0.5	3.0	4.0	n/a

Banding in dispensers of 25m



Part No. **MB1601**

- 7mm wide
- 25 metre roll

Banding in dispensers of 50m



Part No. **MB1602**

- 7mm wide
- 50 metre roll

Flip/Lock housings/screws for use with 7mm Multiband



Part No. **MB1603**

- Round head slotted screw
- Box of 25 sets

Pocket Pack



Part No. **MB1607**

- 7mm wide
- 8 metre roll
- 10 flip/lock housings/screws

Flip/lock housing/screw



Corrosion Resistance

1000 hours NSS Test

Fastening

Round head slotted [flip/lock housing and screw]

Industry Recommendations



304 Stainless Steel