



# Jubilee® Material Safety Data Sheet

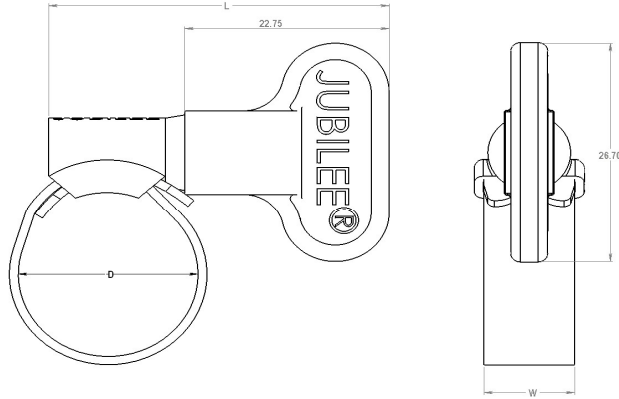


## Section 1 Company and Product Identification

L. Robinson & Company (Gillingham) Limited,  
 Incorporating Jubilee® Clips Limited  
 Owens Way, Gads Hill,  
 Gillingham,  
 Kent,  
 ME7 2RS

Tel: +44 (0)1634 281200  
 Fax: +44 (0)1634 280101

Email: [sales@jubileeclips.co.uk](mailto:sales@jubileeclips.co.uk)  
<http://www.jubileeclips.co.uk>



Jubilee® Wingspade (W1) Range

Part Number	Adjustment		Band Width (W) mm	Band Thickness mm	Recommended Torque Nm	Max Torque Nm	Recommended Max Pressure PSI
	mm	Inches					
WS012MS	9.5 - 12	3/8 - 1/2	9.9	0.762	3.4	4.5	203
WS016MS	11 - 16	1/2 - 5/8	9.9	0.762	3.4	4.5	203
WS020MS	13 - 20	1/2 - 3/4	9.9	0.762	3.4	4.5	203
WS022MS	12 - 22	1/2 - 7/8	9.9	0.762	3.4	4.5	182
WS027MS	16 - 27	5/8 - 1 1/16	9.9	0.762	3.4	4.5	182
WS032MS	20 - 32	13/16 - 1 1/4	9.9	0.762	3.4	4.5	92
WS040MS	25 - 40	1 - 1 9/16	9.9	0.762	4.5	6.0	92
WS045MS	30 - 45	1 3/16 - 1 3/4	9.9	0.762	4.5	6.0	92

## Section 2 Composition/Information on Ingredients

Composition/Information on constituents zinc coated iron alloy

Carbon < 0.12%  
 Silicon < 0.3%  
 Manganese < 1.66%  
 Phosphorus < 0.02%  
 Sulphur < 0.004%  
 Chromium < 0.5%  
 Aluminium > 0.02%

Zinc coat, Coating weight < 500g/m<sup>2</sup>

Coating composition:

Zinc > 99.6% by wt  
 Aluminium < 0.4% by wt  
 Trace elements\* < 0.003% by wt

\*Sum of Pb and Cd

Plastic wing, screw CRVI free plating

### **Section 3 First Aid Measures**

Inhalation: There are no specific symptoms associated with steel in the product forms.  
Skin: There are no specific symptoms associated with steel in the product forms.  
Eyes: Not applicable.  
Ingestion: Not applicable.

### **Section 4 Fire Fighting Measures**

Non flammable

### **Section 5 Handling and Storage**

Store in a dry area

### **Section 6 Physical and Chemical Properties**

Colour: Metallic grey/silver  
Smell: None  
Form/state: Solid  
Melting point: 1425 °C - 1540 °C  
Max service temp: 426 °C  
Min service temp: -45 °C  
Magnetism: 1500-2000  $\mu$   
Resistance: 17.2  $\mu\Omega$   
Density: 7.83 g/cm<sup>3</sup>

### **Section 7 Stability and Reactivity**

Stability: Stable in normal condition  
Reacts with: Reacts with strong acids, and hydrogen is then one of the substances emitted.  
Welding/flame cutting may produce Zinc Oxide fumes.  
Corrosion Resistance: NSS (Neutral Salt Spray tests) 240hours

### **Section 8 Toxicological Information**

Not applicable to steel in the product forms.

### **Section 9 Ecological Information**

No ecological effects are known for the product as a whole.

### **Section 10 Disposal Considerations**

Disposal method: Recyclable, Jubilee® clips' Wingspade Range are made from key raw material for the production of new steel. Steel is the world's most recycled construction material and can be recycled with retained material properties.

### **Section 11 Transport Information**

No special requirements are necessary in transporting these products.

## **Section 12 Regulatory Information**

This product conforms to EU Regulation 1097/2006 (REACH)

This product is compliant with EU directive 2011/65/EU (ROHS2)

BS EN ISO 9001:2008 FM00547

BS EN ISO 14001:2004 EMS573195

BS OHSAS 18001:2007 OHS601983

Quality Assurance:



## **Section 13 Other Information**

The information above is believed to be accurate and represents the best information currently available to L. Robinson & Co Ltd. However, L. Robinson & Co Ltd make no warranty of merchantability or any other warranty, expressed or implied, with respect to such information, and we assume no liability resulting from its use. Users should make their own investigations to determine the suitability of the information for their particular purposes. In no event shall L. Robinson & Co Ltd be liable for any claims, losses, or damages of any third party or for lost profits or any special, indirect, incidental, consequential or exemplary damages, howsoever arising, even if L. Robinson & Co Ltd has been advised of the possibility of such damages.

**Document Issue Date: 27<sup>th</sup> March 2015**

**Revision Number: 11**