



LIGHT RANGE



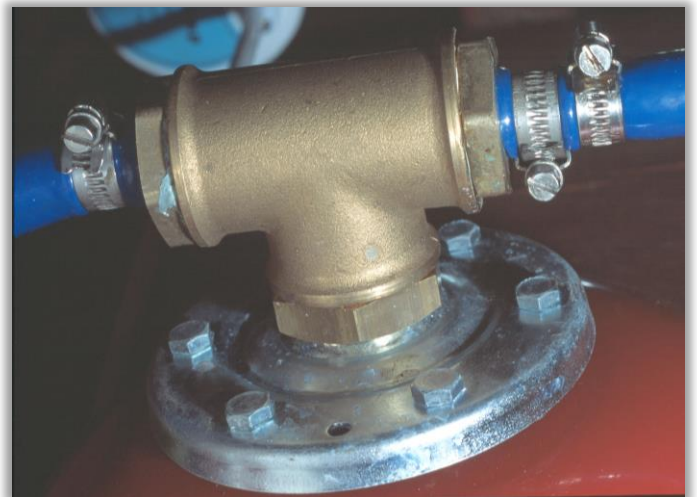
With a narrower band than the Original Jubilee® Clip, this lightweight clip is designed to offer an excellent seal at slightly lower torques. The Jubilee® Light Range is manufactured to DIN 3017 and, like the Original Jubilee® Clip, all clips are continuously threaded to enable extra flexibility when adjusting the clips to the required size. This clip is most suited to applications where space, or weight, is restricted and often used in car and light commercial vehicle applications.

The Jubilee® Light Range clip meets the high standard of quality and performance required of all Jubilee® products. The benefits of weight saving and extra corrosion resistance allow this addition to the full range of Jubilee clips to offer the customer a greater flexibility in meeting their own requirements.

Our Jubilee® Light Range in zinc protected mild steel was originally designed specifically for use in the automotive industry and the automotive aftermarket to comply with DIN 3017, but are also

suited for other applications where space, or weight, is restricted in e.g. agricultural applications, the industrial sector and hardware/DIY applications.

Jubilee® Light Range hose clips in 304 (18/8) stainless steel are used in the marine, oil and gas and food sectors, as well as other corrosive environments where higher corrosion resistance is required, but space and/or weight are at a premium.

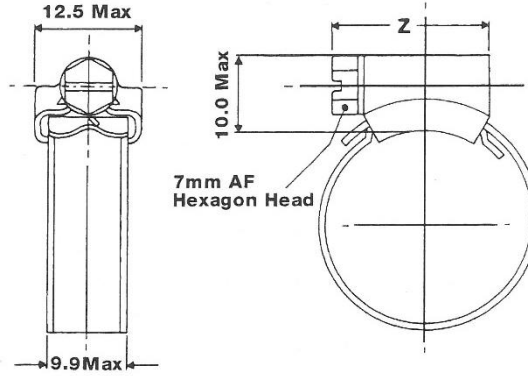


Available in:-

Mild Steel Zinc Protected

304 Stainless Steel

LIGHT RANGE Mild Steel Zinc Protected:-



Part No.	Adjustment mm	Band Width mm	Band Thickness mm	Recommended Torque Nm	Maximum Torque Nm	Maximum Pressure Psi	Part No.
000MS	9.5-12	9.9	0.762	3.4	4.5	203	000MS
M00MS	11-16	9.9	0.762	3.4	4.5	203	M00MS
00MS	13-20	9.9	0.762	3.4	4.5	203	00MS
LR022MS	12-22	9.9	0.762	3.4	4.5	182	LR022MS
LR027MS	16-27	9.9	0.762	3.4	4.5	182	LR027MS
LR032MS	20-32	9.9	0.762	3.4	4.5	92	LR032MS
LR040MS	25-40	9.9	0.762	4.5	6.0	92	LR040MS
LR045MS	30-45	9.9	0.762	4.5	6.0	92	LR045MS
LR050MS	32-50	9.9	0.762	4.5	6.0	92	LR050MS
LR060MS	40-60	9.9	0.762	4.5	6.0	92	LR060MS
LR070MS	50-70	9.9	0.762	4.5	6.0	92	LR070MS
LR080MS	60-80	9.9	0.762	4.5	6.0	39	LR080MS
LR090MS	70-90	9.9	0.762	4.5	6.0	39	LR090MS
LR100MS	80-100	9.9	0.762	4.5	6.0	39	LR100MS
LR110MS	90-110	9.9	0.762	4.5	6.0	39	LR110MS
LR120MS	100-120	9.9	0.762	4.5	6.0	39	LR120MS
LR130MS	110-130	9.9	0.762	4.5	6.0	39	LR130MS
LR140MS	120-140	9.9	0.762	4.5	6.0	39	LR140MS
LR150MS	130-150	9.9	0.762	4.5	6.0	17	LR150MS
LR160MS	140-160	9.9	0.762	4.5	6.0	17	LR160MS

Quality Assurance:- **DIN**
3017

Corrosion Resistance: 240 hours NSS Test

Fastening: 7mm A/F screw

Industry Recommendations:-  



SAE J1508 Surface Vehicle Standards-Hose Clamp Specifications, Type FE is referenced in the quality control methods for the design/manufacture of Lightweight Range Jubilee Clips.

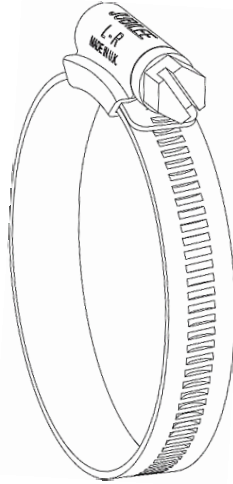


Mild Steel Zinc Protected

The finest hose clip
in the world



LIGHT RANGE 304 Stainless Steel:-



Part No.	Adjustment mm	Band Width mm	Band Thickness mm	Recommended Torque Nm	Maximum Torque Nm	Maximum Pressure Psi	Part No.
000SS	9.5-12	9.9	0.762	3.4	4.5	203	000SS
M00SS	11-16	9.9	0.762	3.4	4.5	203	M00SS
O0SS	13-20	9.9	0.762	3.4	4.5	203	O0SS
LR022SS	12-22	9.9	0.762	3.4	4.5	182	LR022SS
LR027SS	16-27	9.9	0.762	3.4	4.5	182	LR027SS
LR032SS	20-32	9.9	0.762	3.4	4.5	92	LR032SS
LR040SS	25-40	9.9	0.762	4.5	6.0	92	LR040SS
LR045SS	30-45	9.9	0.762	4.5	6.0	92	LR045SS
LR050SS	32-50	9.9	0.762	4.5	6.0	92	LR050SS
LR060SS	40-60	9.9	0.762	4.5	6.0	92	LR060SS
LR070SS	50-70	9.9	0.762	4.5	6.0	92	LR070SS
LR080SS	60-80	9.9	0.762	4.5	6.0	39	LR080SS
LR090SS	70-90	9.9	0.762	4.5	6.0	39	LR090SS
LR100SS	80-100	9.9	0.762	4.5	6.0	39	LR100SS
LR110SS	90-110	9.9	0.762	4.5	6.0	39	LR110SS
LR120SS	100-120	9.9	0.762	4.5	6.0	39	LR120SS
LR130SS	110-130	9.9	0.762	4.5	6.0	39	LR130SS
LR140SS	120-140	9.9	0.762	4.5	6.0	39	LR140SS
LR150SS	130-150	9.9	0.762	4.5	6.0	17	LR150SS
LR160SS	140-160	9.9	0.762	4.5	6.0	17	LR160SS

Quality Assurance:- DIN
3017

Corrosion Resistance: 1000 hours NSS Test

Fastening: 7mm A/F screw

Industry Recommendations:-



SAE J1508 Surface Vehicle Standards-Hose Clamp Specifications, Type FE is referenced in the quality control methods for the design/manufacture of Lightweight Range Jubilee Clips.



304 Stainless Steel