



Material Safety Data Sheet



Section 1 Company and Product Identification

L. Robinson & Company (Gillingham) Limited,
 Incorporating Jubilee® Clips Limited
 Owens Way, Gads Hill,
 Gillingham,
 Kent,
 ME7 2RS, UK

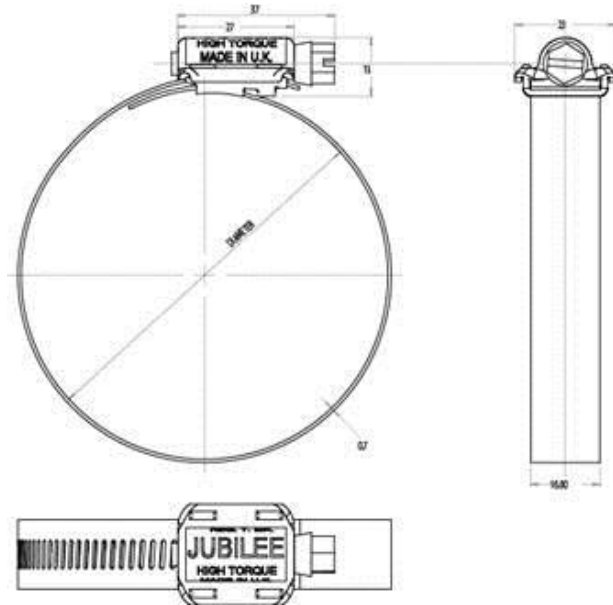
Tel: +44 (0)1634 281200

Fax: +44 (0)1634 280101

Email: sales@jubileeclips.co.uk

http:// www.jubileeclips.co.uk

Jubilee® High Torque 304 Stainless Steel (W4) Range,



Part Number	Adjustment		Band Width mm	Band Thickness mm	Recommended Torque Nm	Max Torque Nm	Recommended Max Pressure PSI
	mm	Inches					
HT035	20-35	¾-1¾	16	0.7	11.9	17	304.5
HT040	25-40	1-1¾	16	0.7	11.9	17	304.5
HT045	25-45	1-1¾	16	0.7	11.9	17	304.5
HT050	30-50	1¼-2	16	0.7	11.9	17	304.5
HT070	40-70	1½-2¾	16	0.7	11.9	17	153.0
HT080	60-80	2¾-3¾	16	0.7	11.9	17	153.0
HT095	70-95	2¾-3¾	16	0.7	11.9	17	153.0
HT100	80-100	3¾-4	16	0.7	11.9	17	66.0
HT120	90-120	3¾-4¾	16	0.7	11.9	17	66.0
HT140	110-140	4¾-5½	16	0.7	11.9	17	66.0
HT160	130-160	5¾-6¾	16	0.7	11.9	17	66.0
HT180	150-180	5¾-7	16	0.7	11.9	17	30.0
HT200	170-200	6¾-7¾	16	0.7	11.9	17	30.0
HT220	190-220	7¾-8¾	16	0.7	11.9	17	30.0
HT240	210-240	8¾-9½	16	0.7	11.9	17	30.0
HT260	230-260	9-10¼	16	0.7	11.9	17	30.0
HT280	250-280	9¾-11	16	0.7	11.9	17	30.0
HT300	270-300	10¾-11¾	16	0.7	11.9	17	30.0
HT320	290-320	11¾-12¾	16	0.7	11.9	17	30.0
HT340	310-340	12¾-13¾	16	0.7	11.9	17	n/a
HT360	330-360	13-14¾	16	0.7	11.9	17	n/a
HT380	350-380	14½-15	16	0.7	11.9	17	n/a
HT400	370-400	13¾-15¾	16	0.7	11.9	17	n/a
HT420	390-420	15¾-16¾	16	0.7	11.9	17	n/a
HT440	410-440	16¾-17¾	16	0.7	11.9	17	n/a
HT460	430-460	17-18¾	16	0.7	11.9	17	n/a
HT480	450-480	17¾-18¾	16	0.7	11.9	17	n/a
HT500	470-500	18½-19¾	16	0.7	11.9	17	n/a
HT520	490-520	19½/16-20½	16	0.7	11.9	17	n/a

Section 2 Composition/Information on Ingredients

Band and housing: Composition/Information on constituents of iron alloy.

Manganese	< 11%
Chromium	< 30%
Nickel	< 38%
Mo	< 8 %

Other elements vary such as Si, Cu, Ti, in each alloy composition and are generally not classified as hazardous, or are below the concentration levels for classification of these alloys as hazardous, and are not subject to recognised exposure limits.

Screw: 8mm Hex Head; 410 Stainless Steel

Section 3 First Aid Measures

Inhalation:	There are no specific symptoms associated with steel in the product forms.
Skin:	There are no specific symptoms associated with steel in the product forms.
Eyes:	Not applicable.
Ingestion:	Not applicable.

Section 4 Fire Fighting Measures

Non flammable

Section 5 Handling and Storage

Store in a dry area

Section 6 Physical and Chemical Properties

Colour:	Metallic grey/silver
Odour:	None
Form/state:	Solid
Melting point:	1454 °C
Max service temp:	870 °C
Min service temp:	-196 °C
Magnetism:	1.008 μ
Resistance:	72 μΩ
Density:	8.03 g/cm ³

Section 7 Stability and Reactivity

Stability:	Stable in normal condition
Reacts with:	Reacts with strong acids, and hydrogen is then one of the substances emitted.
Corrosion Resistance:	NSS 400hours

Section 8 Toxicological Information

Nickel is classified as a skin sensitizer however numerous patch tests have established that most stainless steels do not cause sensitization, but a few types may result in allergic skin reactions in sensitized individuals after prolonged contact.

No carcinogenic effects resulting from exposure to stainless steels have been reported, either in epidemiological studies or in tests with animals.

Section 9 Ecological Information

No ecological effects are known for the product as a whole.

Section 10 Disposal Considerations

Disposal method: Recyclable, Jubilee® clips' High Torque 304 Stainless Steel Range are made from key raw material for the production of new stainless steel. Steel is the world's most recycled construction material and can be recycled with retained material properties.

Section 11 Transport Information

No special requirements are necessary in transporting these products.

Section 12 Regulatory Information

This product conforms to EU Regulation 1097/2006 (REACH)

This product is compliant with EU directive 2011/65/EU (ROHS2)

BS EN ISO 9001:2008 FM00547

BS EN ISO 14001:2004 EMS573195

BS OHSAS 18001:2007 OHS601983

Section 13 Other Information

The information above is believed to be accurate and represents the best information currently available to L. Robinson & Co Ltd. However, L. Robinson & Co Ltd make no warranty of merchantability or any other warranty, expressed or implied, with respect to such information, and we assume no liability resulting from its use. Users should make their own investigations to determine the suitability of the information for their particular purposes. In no event shall L. Robinson & Co Ltd be liable for any claims, losses, or damages of any third party or for lost profits or any special, indirect, incidental, consequential or exemplary damages, howsoever arising, even if L. Robinson & Co Ltd has been advised of the possibility of such damages.

Document Issue Date: 14th July 2015

Revision Number: 11