



Material Safety Data Sheet



Section 1 Company and Product Identification

L. Robinson & Company (Gillingham) Limited,
 Incorporating Jubilee® Clips Limited
 Owens Way, Gads Hill,
 Gillingham,
 Kent,
 ME7 2RS

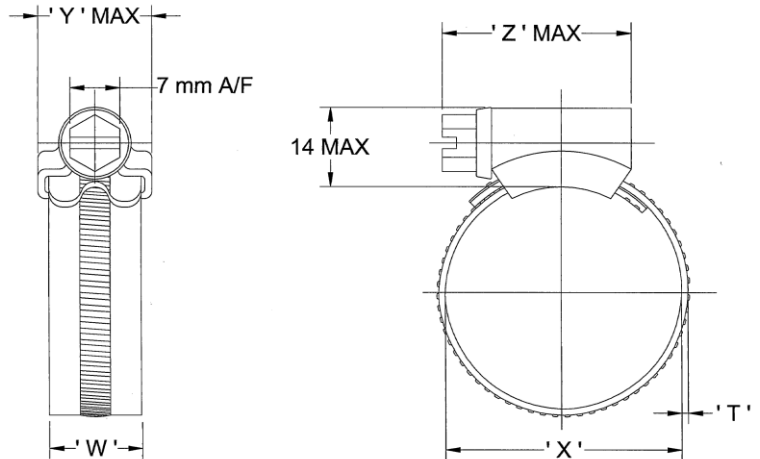
Tel: +44 (0)1634 281200

Fax: +44 (0)1634 280101

Email: sales@jubileeclips.co.uk

http:// www.jubileeclips.co.uk

Jubilee® Original Mild Steel (W1) Range,
 manufactured to BS5315:1991



Part Number	BS No	Adjustment		Band Width (W) mm	Band Thickness (T) mm	(Z) mm	(Y) mm	Recommended Torque Nm	Max Torque Nm	Recommended Max Pressure PSI
		mm	Inches							
000MS	12	9.5 - 12	3/8 - 1/2	9.9	0.762	20.5	12.5	3.4	4.5	203
M00MS	16	11 - 16	1/2 - 5/8	9.9	0.762	20.5	12.5	3.4	4.5	203
00MS	20	13 - 20	1/2 - 3/4	9.9	0.762	20.5	12.5	3.4	4.5	203
0MS	22	16 - 22	5/8 - 7/8	13	0.914	24.5	16	4.2	5.6	203
0XMS	25	18 - 25	3/4 - 1	13	0.914	24.5	16	4.2	5.6	203
1AMS	30	22 - 30	7/8 - 1 1/8	13	0.914	24.5	16	5.1	6.8	203
1MS	35	25 - 35	1 - 1 1/8	13	0.914	24.5	16	5.1	6.8	102
1XMS	40	30 - 40	1 1/8 - 1 3/8	13	0.914	29	16	5.1	6.8	102
1MMS	45	32 - 45	1 1/4 - 1 3/4	13	0.914	29	16	5.1	6.8	102
2AMS	50	35 - 50	1 3/8 - 2	13	0.914	29	16	5.9	7.9	102
2MS	55	40 - 55	1 3/4 - 2 1/8	13	0.914	33	16	5.9	7.9	102
2XMS	60	45 - 60	1 3/4 - 2 3/8	13	0.914	33	16	5.9	7.9	102
3MS	70	55 - 70	2 1/8 - 2 3/4	13	0.914	33	16	6.7	9	102
3XMS	80	60 - 80	2 3/8 - 3 1/8	13	0.914	33	16	6.7	9	44
4MS	90	70 - 90	2 3/4 - 3 3/8	13	0.914	33	16	6.7	9	44
4XMS	100	85 - 100	3 1/8 - 4	13	0.914	33	16	6.7	9	44
5MS	120	90 - 120	3 1/2 - 4 3/8	13	0.914	33	16	6.7	9	44
6MS	140	110 - 140	4 3/8 - 5 1/8	13	0.914	33	16	6.7	9	44
6XMS	150	120 - 150	4 3/4 - 5 3/8	13	0.914	33	16	5.9	7.9	18
7MS	165	135 - 165	5 1/8 - 6 1/8	13	0.914	33	16	5.9	7.9	18
7.5MS	190	158 - 190	6 1/4 - 7 1/8	13	0.914	33	16	5.9	7.9	18
8.5MS	216	184 - 216	7 1/4 - 8 1/8	13	0.914	33	16	5.9	7.9	18
9.5MS	242	210 - 242	8 1/4 - 9 1/8	13	0.914	33	16	5.9	7.9	18
10.5MS	267	235 - 267	9 1/4 - 10 1/8	13	0.914	33	16	5.9	7.9	18
11.5MS	292	260 - 292	10 1/4 - 11 1/8	13	0.914	33	16	5.9	7.9	18
12.5MS	318	286 - 318	11 1/4 - 12 1/8	13	0.914	33	16	5.9	7.9	18

Section 2 Composition/Information on Ingredients

Composition/Information on constituents zinc coated iron alloy

Carbon	< 0.12%
Silicon	< 0.3%
Manganese	< 1.66%
Phosphorus	< 0.02%
Sulphur	< 0.004%
Chromium	< 0.5%
Aluminium	> 0.02%

Zinc coat, Coating weight < 500g/m²

Coating composition:

Zinc	> 99.6% by wt
Aluminium	< 0.4% by wt
Trace elements*	< 0.003% by wt

*Sum of Pb and Cd

7mm AF Hex Fastening, CRVI free plating

Section 3 First Aid Measures

Inhalation:	There are no specific symptoms associated with steel in the product forms.
Skin:	There are no specific symptoms associated with steel in the product forms.
Eyes:	Not applicable.
Ingestion:	Not applicable.

Section 4 Fire Fighting Measures

Non flammable

Section 5 Handling and Storage

Store in a dry area

Section 6 Physical and Chemical Properties

Colour:	Metallic grey/silver
Smell:	None
Form/state:	Solid
Melting point:	1425 °C - 1540 °C
Max service temp:	426 °C
Min service temp:	-45 °C
Magnetism:	1500-2000 μ
Resistance:	17.2 μΩ
Density:	7.83 g/cm ³

Section 7 Stability and Reactivity

Stability:	Stable in normal condition
Reacts with:	Reacts with strong acids, and hydrogen is then one of the substances emitted. Welding/flame cutting may produce Zinc Oxide fumes.
Corrosion Resistance:	NSS (Neutral Salt Spray tests) 240hours

Section 8 Toxicological Information

Not applicable to steel in the product forms.

Section 9 Ecological Information

No ecological effects are known for the product as a whole.

Section 10 Disposal Considerations

Disposal method: Recyclable, Jubilee® clips' Original Mild Steel Range are made from key raw material for the production of new steel. Steel is the world's most recycled construction material and can be recycled with retained material properties.

Section 11 Transport Information

No special requirements are necessary in transporting these products.

Section 12 Regulatory Information

This product conforms to EU Regulation 1097/2006 (REACH)
This product is compliant with EU directive 2011/65/EU (ROHS2)
BS EN ISO 9001:2008 FM00547
BS EN ISO 14001:2004 EMS573195
BS OHSAS 18001:2007 OHS601983
Manufactured to BS5315:1991

Quality Assurance:



Section 13 Other Information

The information above is believed to be accurate and represents the best information currently available to L. Robinson & Co Ltd. However, L. Robinson & Co Ltd make no warranty of merchantability or any other warranty, expressed or implied, with respect to such information, and we assume no liability resulting from its use. Users should make their own investigations to determine the suitability of the information for their particular purposes. In no event shall L. Robinson & Co Ltd be liable for any claims, losses, or damages of any third party or for lost profits or any special, indirect, incidental, consequential or exemplary damages, howsoever arising, even if L. Robinson & Co Ltd has been advised of the possibility of such damages.

Document Issue Date: 26th March 2015

Revision Number: 13