



Material Safety Data Sheet



Section 1 Company and Product Identification

L. Robinson & Company (Gillingham) Limited, Incorporating Jubilee® Clips Limited
Owens Way, Gads Hill, Gillingham, Kent, ME7 2RS

Tel: +44 (0)1634 281200

Fax: +44 (0)1634 280101

Email: sales@jubileeclips.co.uk

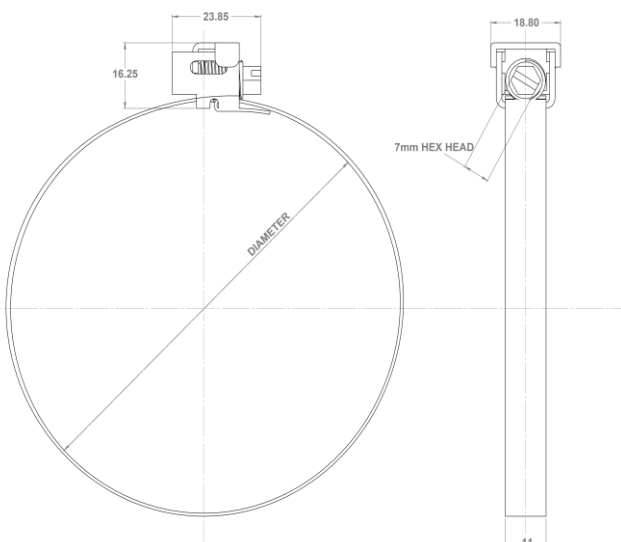
Jubilee® Multiband Zinc Plated Mild Steel (W1) Range

Description	Working Diameter		Band Thickness mm	Recommended Torque Nm	Max Torque Nm
	Min mm	Max mm			
Band	40	1000	0.82	3.4	4.5

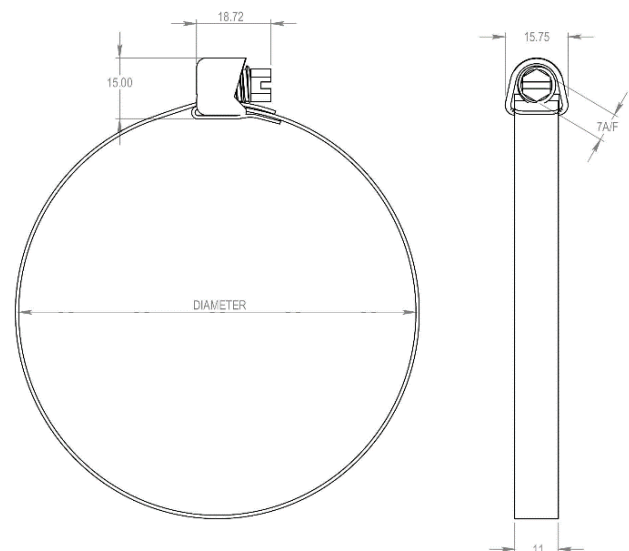
Description	Height	Width	Fastening
Zinc Plated Mild Steel Solid Housing and Screw	15.00mm	15.75mm	7mm AF Hex Screw
Zinc Plated Mild Steel Solid Housing and Allen Screw	15.00mm	15.75mm	5/16 Allen Screw
Zinc Plated Mild Steel Captive Housing and Screw	16.25mm	18.80mm	7mm AF Hex Screw

Part No.	Description
MB1701	11mm Banding 10m
MB1702	11mm Banding 30m
MB1704	25 x 11mm Housing and 7mm AF screws
MB1705	25 x 11mm Housing and Allen screws
MB1706	25 x 11mm Captive Housing and Screws
MB1707	11mm Pocket Pack 3m Band and 8 Housings & Screws
MB1708	11mm Handy Pack 10m Band and 25 Housings & Screws

Captive housing and screw



Solid Housing and screw



Section 2 Composition/Information on Ingredients

Composition/Information on constituents zinc coated iron alloy

Carbon	< 0.12%
Silicon	< 0.3%
Manganese	< 1.66%
Phosphorus	< 0.02%
Sulphur	< 0.004%
Chromium	< 0.5%
Aluminium	> 0.02%
Zinc coat, Coating weight	< 275/m ²
Coating composition:	
Zinc	> 99.6% by wt
Aluminium	< 0.4% by wt
Trace elements*	< 0.003% by wt

*Sum of Pb and Cd

Section 3 First Aid Measures

Inhalation:	There are no specific symptoms associated with steel in the product forms.
Skin:	There are no specific symptoms associated with steel in the product forms.
Eyes:	Not applicable.
Ingestion:	Not applicable.

Section 4 Fire Fighting Measures

Non flammable

Section 5 Handling and Storage

Store in a dry area

Section 6 Physical and Chemical Properties

Colour:	Metallic grey/silver
Smell:	None
Form/state:	Solid
Melting point:	1425 °C - 1540 °C
Max service temp:	426 °C
Min service temp:	-45 °C
Magnetism:	1500-2000 μ
Resistance:	17.2 μΩ
Density:	7.83 g/cm ³

Section 7 Stability and Reactivity

Stability:	Stable in normal condition
Reacts with:	Reacts with strong acids, and hydrogen is then one of the substances emitted. Welding/flame cutting may produce Zinc Oxide fumes.
Corrosion Resistance:	NSS (Neutral Salt Spray tests) 240hours

Section 8 Toxicological Information

Not applicable to steel in the product forms.

Section 9 Ecological Information

No ecological effects are known for the product as a whole.

Section 10 Disposal Considerations

Disposal method: Recyclable, Jubilee® clips' Multiband Zinc Plated Mild Steel Range is made from key raw material for the production of new steel. Steel is the world's most recycled construction material and can be recycled with retained material properties.

Section 11 Transport Information

No special requirements are necessary in transporting these products.

Section 12 Regulatory Information

This product conforms to EU Regulation 1097/2006 (REACH)
This product is compliant with EU directive 2011/65/EU (ROHS2)
BS EN ISO 9001:2008 FM00547
BS EN ISO 14001:2004 EMS573195
BS OHSAS 18001:2007 OHS601983

Section 13 Other Information

The information above is believed to be accurate and represents the best information currently available to L. Robinson & Co Ltd. However, L. Robinson & Co Ltd make no warranty of merchantability or any other warranty, expressed or implied, with respect to such information, and we assume no liability resulting from its use. Users should make their own investigations to determine the suitability of the information for their particular purposes. In no event shall L. Robinson & Co Ltd be liable for any claims, losses, or damages of any third party or for lost profits or any special, indirect, incidental, consequential or exemplary damages, howsoever arising, even if L. Robinson & Co Ltd has been advised of the possibility of such damages.

Document Issue Date: 26rd March 2015
Revision Number: 12
Document Number: JMSDSMB11MSUK